

# Halogen reflector



13189 50W GX5.3 13.8V 1CT

Philips' halogen reflector lamps offer the ideal no-fuss solution for a wide variety of medical, projection and scientific illumination systems. Their proven reliability makes them ideal for retrofit installations. The burners are precisely aligned for optimal light performance. Dichroic reflectors ensure heat dissipation towards the back of the optical system, which helps the optical system remain within temperature limits. A special blue-filter version blocking out unwanted light above 700 nm is available for dental curing applications. In addition, you get all the proven advantages of halogen technology such as a CRI of 100 – the same as natural sunlight for the best possible color rendering. Halogen lamps also create a comfortable warm white light, and they maintain their high lumen output with almost no lumen reduction throughout their lifetime.

## Product data

### • General Characteristics

Philips Code	13189
ANSI Code	EPZ/DJT
J Code	-
LIF Code	-
Cap-Base	GX5.3
Cap-Base Information	-
Bulb	R50
Bulb Material	Quartz-UV Open
Reflector Finish	Smooth
Filament Shape	-
Operating Position	s105
Main Application	Projection
Life to 50% failures	1000 hr

### • Light Technical Characteristics

Color Rendering Index	100 Ra8
Color Temperature Technical	3150 K

### • Electrical Characteristics

Watts	50 W
Voltage	13.8 V
Dimmable	Yes

### • Luminaire Design Requirements

Pinch Temperature	350 (max) C
Bulb Temperature	900 (max) C
Working Distance WD	108 mm

### • Product Dimensions

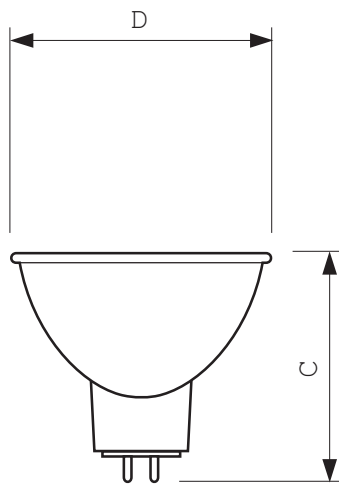
Overall Length C	45 (max) mm
Diameter D	50 (max) mm
Filament Dimensions (WxH) [mm]	-

### • Product Data

Product number	314963
Full product name	13189 50W GX5.3 13.8V 1CT
Short product name	13189 50W GX5.3 13.8V 1CT/10X5F
Pieces per Sku	1
eop_pck_cfg	10X5F
Skus/Case	50
Bar code on pack	8711500409775
Bar code on intermediate pack	8711500419286
Bar code on case	8711500419279
Logistics code(s)	923883518204
eop_net_weight_pp	26.200 gr

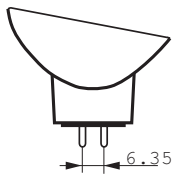
## Dimensional drawing

## Dimensional drawing



### GX5.3, GY5.3, GZ6.35

Product	C (Max)	D (Max)	L (Min)	L (Norm)	L (Max)
13189 50W GX5.3 13.8V	45	50	-	-	-



GX5.3



© 2012 Koninklijke Philips Electronics N.V.  
All rights reserved.

Specifications are subject to change without notice. Trademarks are the property of Koninklijke Philips Electronics N.V. or their respective owners.

[www.philips.com/lighting](http://www.philips.com/lighting)

2012, May 24  
data subject to change