

Halogen reflector

14552 75W GZ4 12V 1CT



Philips' halogen reflector lamps offer the ideal no-fuss solution for a wide variety of medical, projection and scientific illumination systems. Their proven reliability makes them ideal for retrofit installations. The burners are precisely aligned for optimal light performance. Dichroic reflectors ensure heat dissipation towards the back of the optical system, which helps the optical system remain within temperature limits. A special blue-filter version blocking out unwanted light above 700 nm is available for dental curing applications. In addition, you get all the proven advantages of halogen technology such as a CRI of 100 – the same as natural sunlight for the best possible color rendering. Halogen lamps also create a comfortable warm white light, and they maintain their high lumen output with almost no lumen reduction throughout their lifetime.

Product data

• General Characteristics

| | |
|----------------------|------------------|
| Philips Code | 14552 |
| ANSI Code | - |
| J Code | - |
| LIF Code | - |
| Cap-Base | GZ4 |
| Cap-Base Information | - |
| Bulb | R35 |
| Bulb Material | Quartz-UV Open |
| Reflector Finish | Smooth Dichroic |
| Filament Shape | - |
| Operating Position | s105 |
| Main Application | Dental Hardening |
| Life to 50% failures | 50 hr |

• Light Technical Characteristics

| | |
|-----------------------------|------------------------|
| Color Rendering Index | 10 Ra8 |
| Color Temperature Technical | 3400 K |
| Curing Power Area 400-500nm | 400 mW/cm ² |

• Electrical Characteristics

| | |
|--------------|------|
| Lamp Wattage | 75 W |
| Voltage | 12 V |
| Dimmable | Yes |

• Luminaire Design Requirements

| | |
|-------------------|-------------|
| Pinch Temperature | 350 (max) C |
|-------------------|-------------|

| | |
|---------------------|-------------|
| Bulb Temperature | 900 (max) C |
| Working Distance WD | 26 mm |

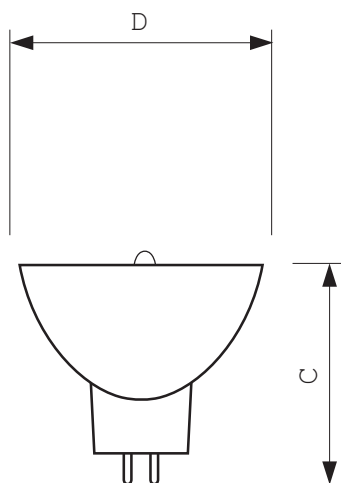
• Product Dimensions

| | |
|--------------------------------|-------------|
| Overall Length C | 41 (max) mm |
| Diameter D | 25 (max) mm |
| Filament Dimensions (WxH) [mm] | - |

• Product Data

| | |
|---|-----------------------------|
| Order code | 924043217103 |
| Full product code | 924043217103 |
| Full product name | 14552 75W GZ4 12V 1CT |
| Order product name | 14552 75W GZ4 12V 1CT/10X5F |
| Pieces per pack | 1 |
| Packing configuration | 10X5F |
| Packs per outerbox | 50 |
| Bar code on pack - EAN1 | 8711500412447 |
| Bar code on intermediate packing - EAN2 | 8711500412454 |
| Bar code on outerbox - EAN3 | 8711500425355 |
| Logistic code(s) - 12NC | 924043217103 |
| Net weight per piece | 12.200 gr |

Dimensional drawing



GZ4

GZ4

| Product | C (Max) | D (Max) | L (Min) | L (Norm) | L (Max) |
|-------------------|---------|---------|---------|----------|---------|
| 14552 75W GZ4 12V | 41 | 25 | - | - | - |



© 2012 Koninklijke Philips Electronics N.V.
All rights reserved.

Specifications are subject to change without notice. Trademarks are the property of Koninklijke Philips Electronics N.V. or their respective owners.

www.philips.com/lighting

2012, April 12
data subject to change