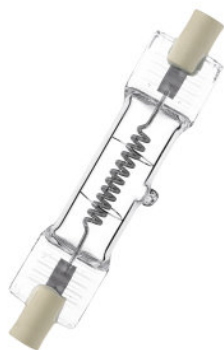


64571 800 W 230 V

Halogen studio lamps, double-ended



Areas of application

- Professional film and TV work
- Theater and concert stages
- Entertainment

Product family features

- Operation at mains voltage: 120 V | 230 V | 240 V
- Color temperature: 3,200 K (for professional film and TV work)
- Color temperature: 3,400 K (for maximum luminous efficacy)



Product datasheet

Technical data

Product information

Order reference	64571 DXX P2/13
-----------------	-----------------

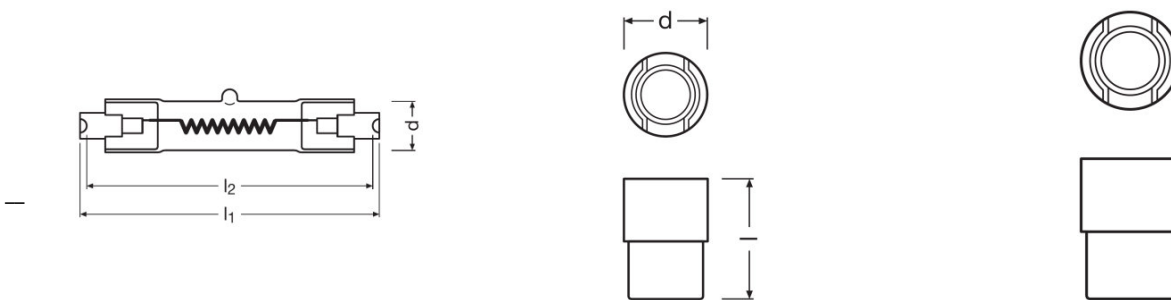
Electrical data

Nominal wattage	800.00 W
Nominal voltage	230 V

Photometrical data

Color temperature	3200 K
Luminous efficacy	27 lm/W

Dimensions & weight



Diameter	17.0 mm
Length	80.3 mm
Length with base excl. base pins/connection	78.30 mm

Lifespan

Lifespan	75 h
----------	------

Additional product data

Base (standard designation)	R7s
-----------------------------	-----

Capabilities

Burning position	Other ¹⁾
------------------	---------------------

¹⁾ Burning position preferably horizontal, vertical possible for a short time

Certificates & standards

Product datasheet

EEL – Energy Label	B
---------------------------	---

Country specific categorizations

ANSI code	DXX
LIF	P2/13
Order reference	64571 DXX P2/13

Country specific information

Product code	METEL code	SEG-No.	STK number	UK Org
4050300014180	OSRH64571	-	4739734	-

Product datasheet

Safety advice

To prevent personal injury or damage to property, halogen lamps may only be operated in suitable luminaires designed with suitable mechanisms (protective shields, grids, etc.) to ensure that in the event of a lamp bursting no parts/shards can escape and that during operation no ultraviolet radiation can escape. There must also be a warning sign to indicate that the lamps give off high levels of heat. Detailed information is available on request.

Logistical Data

Product code	Product description	Packaging unit (Pieces/Unit)	Dimensions (length x width x height)	Volume	Gross weight
4050300014180	64571 800 W 230 V	Folding carton box 1	111 mm x 30 mm x 36 mm	0.12 dm ³	21.20 g
4008321114051	64571 800 W 230 V	Shipping carton box 50	271 mm x 213 mm x 227 mm	13.10 dm ³	1316.00 g

The mentioned product code describes the smallest quantity unit which can be ordered. One shipping unit can contain one or more single products. When placing an order, for the quantity please enter single or multiples of a shipping unit.

References / Links

A summary of studio lamps can be found on the halogen studio lamps poster.
For more information on halogen lamps for studio, stage and TV see the brochure:
"Good news for show business"
"Halogen High Voltage Lamps" cross reference list

Disclaimer

Subject to change without notice. Errors and omission excepted. Always make sure to use the most recent release.
