

HMI 2500 W/S XS

HMI, double-ended | Metal halide lamps



Product family features

- Color temperature: approx. 6,000 K (Daylight)
- High color rendering index: $R_a >$
- Very bright with luminous flux up to 2.3 million lumen
- Very high luminous efficacy up to 100 lm/W
- Robust design with eXtreme Seal (XS) technology, allowing up to 450°C at the pinch seal
- Hot restart capability



Product datasheet

Technical data

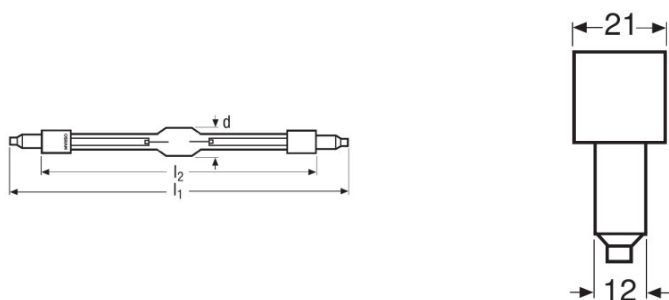
Electrical data

Lamp wattage	2500 W
Nominal wattage	2500.00 W
Nominal voltage	115 V
Lamp voltage	115 V
Nominal current	25.6 A
Lamp current	25.6 A

Photometrical data

Nominal luminous flux	240000 lm
Color temperature	6000 K
Color rendering index Ra	90

Dimensions & weight



Diameter	31.5 mm
Length	210.0 mm
Mounting length	150.0 mm
Length with base excl. base pins/connection	150.00 mm

Lifespan

Lifespan	500 h
----------	-------

Additional product data

Base (standard designation)	SFa21-12
-----------------------------	----------

Capabilities

Burning position	Other
------------------	-------

Product datasheet

Certificates & standards

EEI – Energy Label	B
--------------------	---

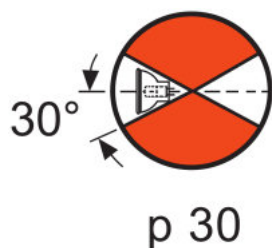
Country specific information

Product code	METEL code	SEG-No.	STK-Number	UK Org
4050300025780	OSRHMI2500S	-	-	-

Product datasheet

Safety advice

Because of their high luminance, UV radiation and high internal pressure during operation, HMI lamps may only be operated in enclosed lamp casings specially constructed for the purpose. Appropriate filters must ensure that UV radiation is reduced to an acceptable level. Mercury is released if the lamp breaks. Special safety precautions must be taken. Information on safety and handling is available on request or can be found in the leaflet included with the lamp or in the operating instructions.



Logistical Data

Product code	Product description	Packaging unit (Pieces/Unit)	Dimensions (length x width x height)	Volume	Gross weight
4050300025780	HMI 2500 W/S XS	Shipping carton box 1	312 mm x 82 mm x 110 mm	2.81 dm ³	274.33 g

- The mentioned product code describes the smallest quantity unit which can be ordered. One shipping unit can contain one or more single products. When placing an order, for the quantity please enter single or multiples of a shipping unit.

Disclaimer

Subject to change without notice. Errors and omission excepted. Always make sure to use the most recent release.