



TUV T5

TUV 36T5 SP NO/32

TUV T5 lamps are single- or double-ended UVC (germicidal) lamps used in professional water and air disinfection units. The small 16 mm diameter of the lamp allows for a small system design and design flexibility. TUV T5 lamps offer constant UV output over their complete lifetime, for maximum security of disinfection and high system efficacy.

Product data

| General Information | |
|---------------------|-------------------------|
| Cap-Base | SINGLEPIN [Single Pin] |
| Main Application | Disinfection |
| Useful Life (Nom) | 9000 h |
| System Description | High Efficiency |

| Light Technical | |
|---------------------------------|--------------------|
| Color Code | TUV |
| Color Designation | - [Not Specified] |
| Depreciation at Useful Lifetime | 15 % |

| Operating and Electrical | |
|--------------------------|---------|
| Power (Rated) (Nom) | 40 W |
| Lamp Current (Nom) | 0.425 A |
| Voltage (Nom) | 94 V |

| Mechanical and Housing | |
|------------------------|------------|
| Cap-Base Information | Single Pin |

| Approval and Application | |
|----------------------------|--------|
| Mercury (Hg) Content (Nom) | 3.0 mg |

| UV | |
|--------------------------|------|
| UV-C Radiation at 100 hr | 15 W |

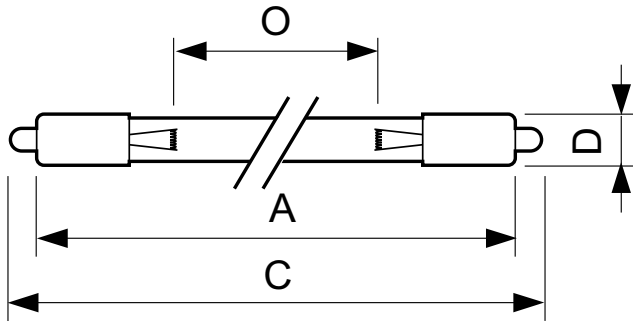
| Product Data | |
|---------------------------------|-------------------|
| Full product code | 871150064036999 |
| Order product name | TUV 36T5 SP NO/32 |
| EAN/UPC - Product | 8711500640369 |
| Order code | 927970004099 |
| Numerator - Quantity Per Pack | 1 |
| Numerator - Packs per outer box | 32 |
| Material Nr. (12NC) | 927970004099 |
| Net Weight (Piece) | 87.000 g |

TUV T5

Warnings and Safety

- A lamp breaking is extremely unlikely to have any impact on your health. If a lamp breaks, ventilate the room for 30 minutes and remove the parts, preferably with gloves. Put them in a sealed plastic bag and take it to your local waste facilities for recycling. Do not use a vacuum cleaner.
- **DANGER:** Risk Group 3 Ultra Violet product. These lamps emit high-power UV radiation that can cause severe injury to skin and eyes. Avoid eye and skin exposure to unshielded product. Use only in an enclosed environment which shields users from the radiation.

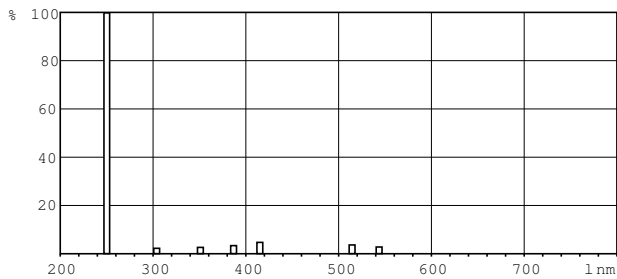
Dimensional drawing



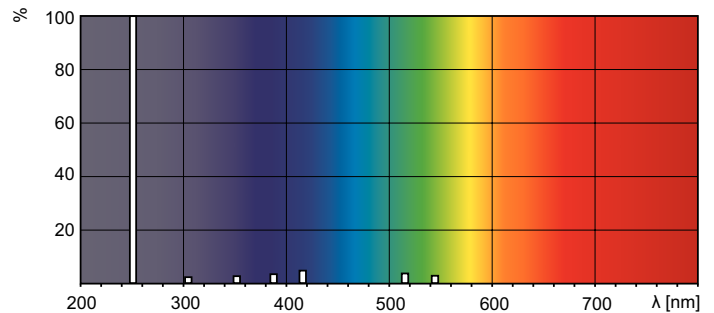
TUV 36T5/SP HE

| Product | D (max) | O | C (max) | A (max) |
|-------------------|---------|--------|----------|----------|
| TUV 36T5 SP NO/32 | 18.6 mm | 762 mm | 863.9 mm | 845.4 mm |

Photometric data



TUV



TUV

