



For reliable unveiling of secrets!

PL-S Blacklight Blue

PL-S Blacklight Blue is a special low-wattage compact fluorescent lamp emitting long wave UV radiation for detection and analysis purposes in archaeology, money checking, forensic science, food industry, medicine, mineralogy, philately as well for special effects in night clubs, discos, theatres and sign lighting. The 2-pin version is designed for operation on electromagnetic gear, the 4-pin version is designed for operation on electronic gear. Both versions are provided with a plug-in/pull-out lamp base.

Benefits

- Quick detection of UV reflecting materials
- Creates special lighting atmospheres and effects
- 4-pin version: flicker-free start, and dimming possible down to 10%

Features

- Long wave UV fluorescent phosphor technology
- 2-pin version: 2-pin base with a housing incorporating the special instant starter and capacitor
- 4-pin version: 4-pin base

Application

- Detection and analysis in the textile and chemical industries
- Banking and forensic science
- Special effects in night clubs, discos and theatres, and sign lighting

PL-S Blacklight Blue

Versions

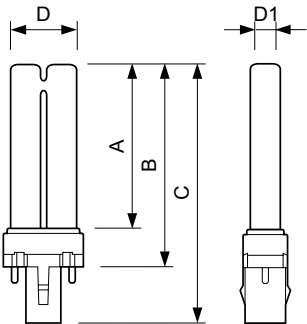
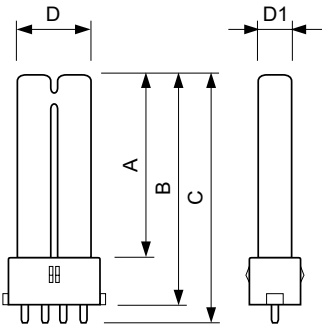


PL-S 9W /108 G23 2P



PL-S 9W /108 2G7 4P

Dimensional drawing



| Product | D1 (max) | B (max) |
|---------------------------|----------|----------|
| PL-S 9W BLB/4P 1CT/6X10CC | 13.0 mm | 145.0 mm |

| Product | D1 (max) | B (max) |
|---------------------------|----------|----------|
| PL-S 9W BLB/2P 1CT/6X10CC | 13.0 mm | 145.0 mm |

PL-S Blacklight Blue

Approval and Application

| | |
|----------------------------|--------|
| Mercury (Hg) Content (Nom) | 3.0 mg |
|----------------------------|--------|

Operating and Electrical

| | |
|--------------------|--------|
| Lamp Current (Nom) | 0.17 A |
|--------------------|--------|

| | |
|---------------|------|
| Voltage (Nom) | 60 V |
|---------------|------|

| | |
|---------------------|-------|
| Power (Rated) (Nom) | 8.6 W |
|---------------------|-------|

General Information

| | |
|------------------|-----------------|
| Main Application | Blacklight Blue |
|------------------|-----------------|

Light Technical

| | |
|------------|-----|
| Color Code | 108 |
|------------|-----|

| | |
|-------------------|-----------------|
| Color Designation | Blacklight Blue |
|-------------------|-----------------|

| | |
|-------------------|------|
| LLMF 2000 h Rated | 20 % |
|-------------------|------|

| | |
|-------------------|------|
| LLMF 6000 h Rated | 30 % |
|-------------------|------|

Mechanical and Housing

| | |
|------------|-------|
| Bulb Shape | 2XT12 |
|------------|-------|

General Information

| Order Code | Full Product Name | Cap-Base |
|--------------|---------------------------|----------|
| 927901710807 | PL-S 9W BLB/2P 1CT/6X10CC | G23 |
| 927901910807 | PL-S 9W BLB/4P 1CT/6X10CC | 2G7 |

